

## About this Manual

We've added this manual to the Agilent website in an effort to help you support your product. This manual is the best copy we could find; it may be incomplete or contain dated information. If we find a more recent copy in the future, we will add it to the Agilent website.


## Support for Your Product

Agilent no longer sells or supports this product. Our service centers may be able to perform calibration if no repair parts are needed, but no other support from Agilent is available. You will find any other available product information on the Agilent Test & Measurement website, [www.tm.agilent.com](http://www.tm.agilent.com).

## HP References in this Manual

This manual may contain references to HP or Hewlett-Packard. Please note that Hewlett-Packard's former test and measurement, semiconductor products and chemical analysis businesses are now part of Agilent Technologies. We have made no changes to this manual copy. In other documentation, to reduce potential confusion, the only change to product numbers and names has been in the company name prefix: where a product number/name was HP XXXX the current name/number is now Agilent XXXX. For example, model number HP8648A is now model number Agilent 8648A.

---



Operating Note

Flex Circuit Adapters  
for 68040 and 68360

---

© Copyright Hewlett-Packard Company 1993

Operating Note Part Number E3429-92000

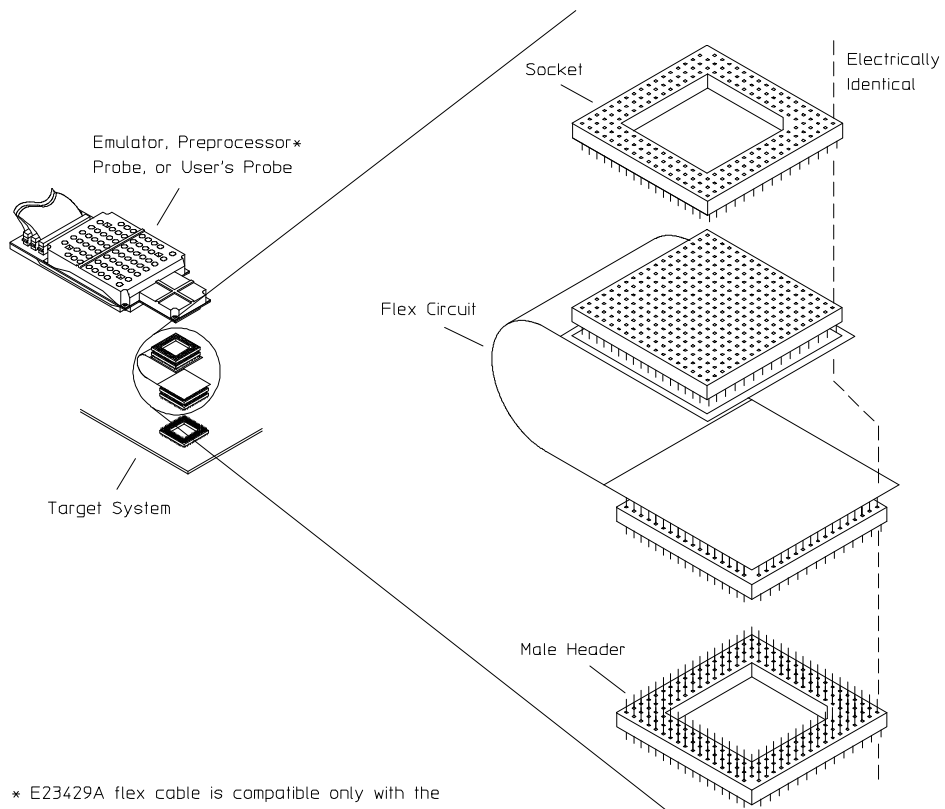
Printed in U.S.A. November 1993



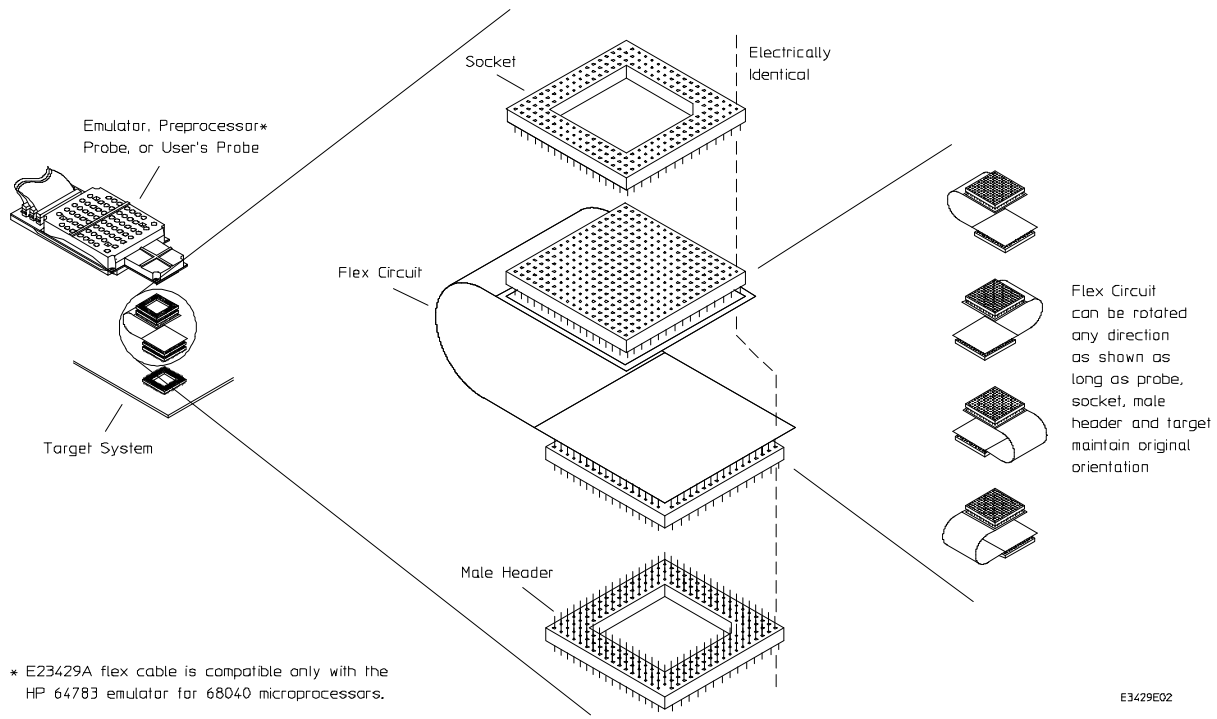
# Introduction

A Flex Circuit Adapter provides a low-stress, rotatable connection between test/measurement equipment and target systems. The Flex Circuit Adapter can be oriented in four directions, allowing access to target systems which otherwise might not be accessible due to components on the target system board.

A Flex Circuit Adapter consists of a Flex Circuit, a Male Header, and a Socket. The Flex Circuit is a 260 pin 18 x 18 PGA pattern. The Male Headers and Sockets come in different configurations, to match different PGA patterns. The table in the back lists the various Flex Circuit Adapter packages which are available.



\* E23429A flex cable is compatible only with the HP 64783 emulator for 68040 microprocessors.



\* E23429A flex cable is compatible only with the HP 64783 emulator for 68040 microprocessors.

## Installation

The Flex Circuit Adapter is shipped from the factory with the appropriate Male Header and Socket configured to a specific microprocessor pattern. The Male Header is attached to the end of the Flex Circuit which will connect to your target system; the product number is on the back side of that end of the Flex Circuit. The Socket is attached to the end which will connect to your test/measurement equipment; the HP logo is on the back side of that end of the flex circuit. To use the Flex Circuit Adapter to connect your target system to your test/measurement equipment, use the following procedure:

1. Ensure that the patterns on the Male Header and the Socket match your target system.
2. Remove the microprocessor from the target system, and store it in a protected environment.
3. Orient your test/measurement probe with the microprocessor socket on the target system so that Pin A1 is properly aligned. Do not connect anything until step 8. When you install the Flex Circuit Adapter, the test/measurement probe must keep this alignment.

---

**Caution**

---

Incorrect alignment of the test/measurement equipment and target system may cause equipment damage.

4. Fold the Flex Circuit so that the Male Header and Socket Adapter are facing away from each other.
5. Hold the test/measurement equipment probe above the microprocessor socket with one hand, with the orientation from step 3. In the other hand, hold the folded Flex Circuit. Determine which direction you want the folded Flex Circuit to face. The Flex Circuit can be oriented in four different directions with respect to the microprocessor socket and test/measurement equipment, allowing connections which otherwise might not be possible (see illustration).
6. Put the test/measurement equipment down. Hold the folded Flex Circuit over the target system, with the orientation selected in step 5. Check to see if the Male Header pins are aligned with the target system socket. If they are not aligned, you will have to rotate the Male Header and Socket. To rotate the Male Header and Socket, place the Flex Cable on a flat surface, in an extended (not folded) position. Remove the Male Header, and rotate in one direction (such as clockwise); remove the Socket and rotate it in the other direction a like number of degrees.

7. Check to ensure that the Male Header and Socket are properly installed.

---

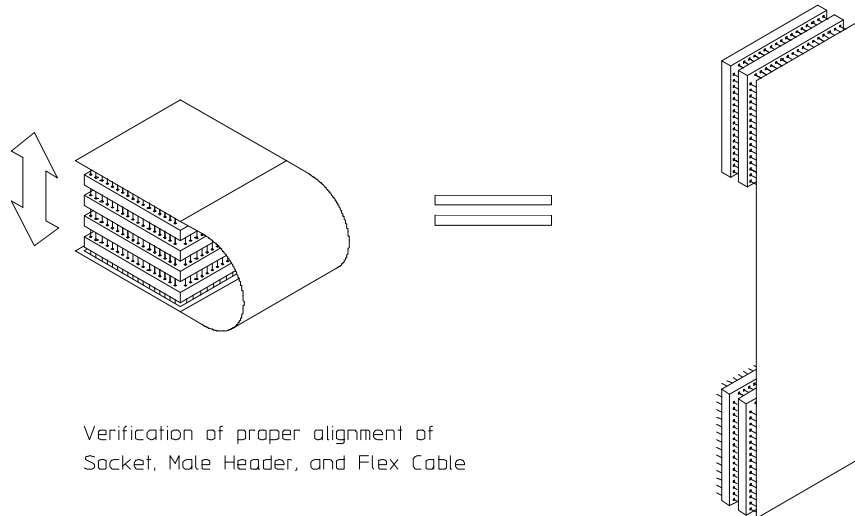
**Caution**

---

Improper installation of the Male Header and Socket will cause equipment malfunction or damage. To ensure that they are properly installed, fold the Flex Circuit so that the Male Header is in contact with the Socket (see illustration below). If the Male Header pins fit into the Socket, and the PGA sockets on the end of the Flex Circuit are aligned, the installation is correct.

8. Using the orientation of the Flex Cable selected in step 5, connect the Male Header on the Flex Cable to the target system.
9. Fold the Flex Cable. Using the orientation of the test/measurement equipment determined in step 3, connect the test/measurement probe to the Socket on the Flex Cable.
10. For preprocessor interfaces, install the microprocessor on the preprocessor interface.

You are now ready to make measurements.



E3429E03



## Replaceable Parts

The tables below show the HP product numbers for the complete Flex Circuit Adapters, which include the Flex Circuit, the appropriate Male Header and the appropriate Socket. Additional Male Headers and Sockets can be ordered directly from HP or from McKenzie Technology (1-510-651-2700).

| HP Part Number<br>Flex Circuit Adapter  | Microprocessor<br>Package | HP Part Number<br>Male Header | HP Part Number<br>Socket |
|---|---------------------------|-------------------------------|--------------------------|
| HP E3429A*<br>HP E3430A   | 68040<br>68360            | 1252-5293<br>64780-87601      | 1200-1597<br>1200-1812   |
| *E3429A flex cable is compatible only with the HP 64783 emulator for 68040 microprocessors. |                           |                               |                          |

| HP Part Number<br>Flex Circuit Adapter | Microprocessor<br>Package | McKenzie Technolgy<br>Part Number Male<br>Header | McKenzie Technolgy<br>Part Number Socket       |
|--|---------------------------|--|--|
| HP E3429A<br>HP E3430A                 | 68040<br>68360            | PGA-179H878S-1836R<br>PGA-241H876S-1849F         | PGA-179H004B1-1836-R<br>PGA-241M004B1-1849-RPG |